

Thermostats

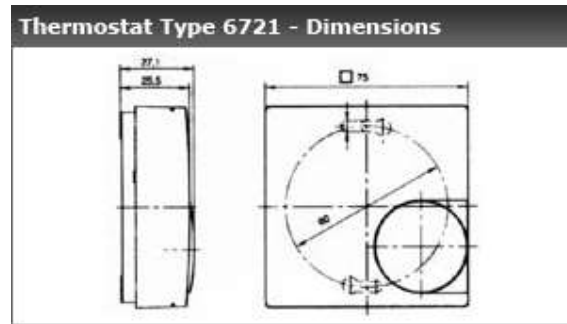
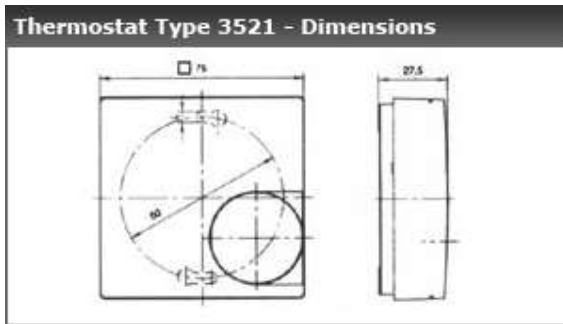
Hygrostats & Hygrothermostats

Hygrostats model 6001 are suitable for wall mounting for the automatic operation of humidifiers and dehumidifiers.

Hygrothermostats model 7001 also incorporates a room thermostat with changeover contacts for combined control humidity and temperature. Full details on request.

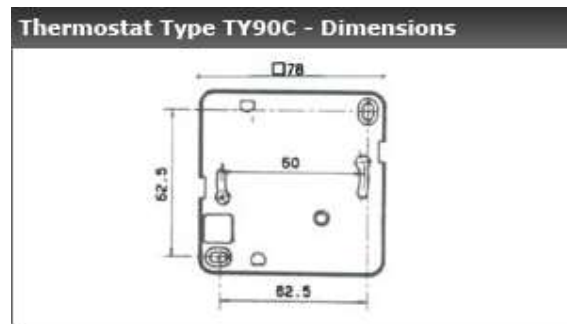
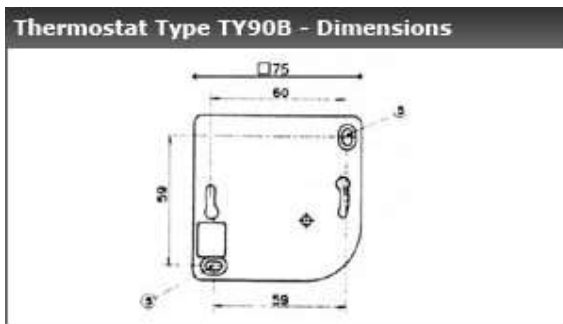
RTR-E 3000 & RTR-E 6000 Series

TYPE RTR-E	3521	3545 (Tamperproof)	6705 (Change over)	6721 (Change over)
TEMPERATURE RANGE	5 - 30°C	5 - 30°C	10 - 60°C	5 - 30°C
OPERATING VOLTAGE	230V AC	230V AC	230V AC	230V AC
SWITCHING CURRENT	16A	16A	HEAT 10A COOL 5A	HEAT 10A COOL 5A
CONTACT	SPST	SPST	SPDT	SPDT



TY90 Range

TYPE	TY90B1	TY90B2 (With switch)	TY90B3 (Change over)	TY90T3 (Tamperproof)
TEMPERATURE RANGE	5 - 35°C	5 - 35°C	5 - 35°C	5 - 35°C
OPERATING VOLTAGE	230V AC	230V AC	230V AC	230V AC
SWITCHING CURRENT	10A	10A	HEAT 10A COOL 3A	HEAT 10A COOL 3A
CONTACT	SPST	SPST	SPDT	SPDT
ON / OFF SWITCH	NO	YES	NO	NO



HVR Pentagon Limited
 Unit 2, Tudor Industrial Estate
 Wharfedale Road
 Tyseley
 Birmingham B11 2DG
 UK

Tel: + 44 (0) 121 707 7922
 Fax: + 44 (0) 121 706 6176
 Email: sales@hvrpentagon.com
 Web: www.hvrpentagon.com